

SINGER
45W53

Form 3052w
(851)
Printed in U.S.A.

LIST OF PARTS



MACHINE No. 45w53

** A TRADE MARK OF
THE SINGER MANUFACTURING COMPANY

INSTRUCTIONS FOR OILING

To ensure easy running and prevent unnecessary wear of the parts which are in movable contact, the machine requires oiling and when in continuous use, "TYPE B" or "TYPE D" OIL, sold only by Singer Sewing Machine Company, should be applied at least twice each day to all oil holes marked "OIL", as instructed in Form 3055w.

"TYPE D" OIL is stainless.

INDEX

	Page
Accessories	15
Bobbin Winder	15
Feed Dogs	17
Foot Lifter	16
Machine No. 45w53	5
Miscellaneous Parts	17
Numerical List of Parts	19
Thread Unwinder	16
Throat Plates	17

INSTRUCTIONS FOR ORDERING

In ordering from this list, use **ONLY** the **PART** number in the **FIRST** column.

The number stamped on a Sewing Machine Part is the number of the **Single Part** only, except when the part includes Set Screws, Clamping Screws, Studs and Rollers Spun on, Small Wires riveted, or Parts soldered together, etc., which it is necessary to furnish in combination.

Every combination of parts sent out has its specific number which, although not stamped on Parts (except in above case), must be used when ordering the combination.

Each number always indicates the **SAME PART** in whatever list it appears, or for whatever Machine.

The letters after some of the numbers indicate the style of finish only, as follows:

- A Hardened, Polished, Nickel Plated and Buffed.
- AL Heat Treated for Toughness.
- B Polished, Nickel Plated and Buffed.
- C Hardened only.
- D Polished only.
- E Soft, Not polished.
- F Hardened and Polished.
- H Blued.
- J Nickel Plated only.
- R Merlized.
- X Black Oxide, for Iron and Steel.
- XC Hardened and Black Oxide, for Iron and Steel.
- Y Black Nickel Plated only.
- Z Chromium Plated.

These letters **MUST BE USED** when they appear in the list and **AFTER** the number, as in the list.

In this series

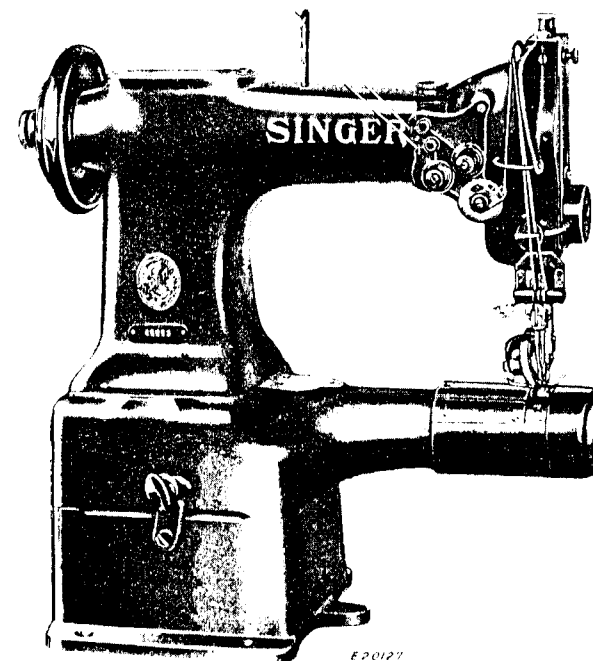
1 to 1500, 200001 to 201500 and 350001 to 351500 are Screw Numbers.
 1501 to 1800, 201501 to 201800 and 351501 to 351800 are Nut Numbers.
 1801 to 2000, 201801 to 202000 and 351801 to 352000 are Roller Numbers.
 2001 to 50000 and 202001 to 350000 are Numbers of Machine Parts.

The figures in the second column refer only to the plate in which the illustration of the part is shown and are **NOT TO BE USED** in ordering.

Two or more numbers over a cut indicate that the difference between such parts is not visible in an illustration.

Parts marked with an asterisk (*) are furnished only when repairs are made at the factory.

LIST OF PARTS COMPLETE FOR



MACHINE No. 45w53

HIGH SPEED. LEFT HAND. DROP FEED.

ROLLER PRESSER. LOCK STITCH.
TWO NEEDLES. CYLINDER BED.

FOR VAMPING, FOXING, SPACE STITCHING,
STITCHING GLOVES, Etc.

MADE IN GAUGES FROM $\frac{1}{32}$ TO $\frac{1}{4}$ INCH

No.	Plate	Name
*235001	----	Arm with 202135
224002	15144	" Cap
200278H	15144	" " Screw
202248	15144	" " Washer
204235	15145	" Position Pin (2)
200010E	15145	" Screw (3)

No.	Plate	Name
202005	15145	Arm Screw Washer (3)
235002	15144	" Shaft with 224392 and 350431E
237748	15144	" " Bushing (back) with 202260
202260	15144	" " " " Oil Packing (wick)
200071E	15144	" " " " Screw (3)
239062	15144	" " " " (front) with 202244
202244	15144	" " " " Oil Packing (wick)
200502H	15144	" " " " " " Thumb Screw
200338C	15144	Arm Shaft Bushing (front) Set Screw
235003	15145	" " Connection Belt
224104	15145	" " " " Pulley with 200327C, 200602C and two 202253
200602C	15145	Arm Shaft Connection Belt Pulley Position Screw
200327C	15145	Arm Shaft Connection Belt Pulley Set Screw
202253	15145	" " " " " " Spring Flange
235004	15146	Arm Shaft Connection Belt Timing Plate
200164B	15146	" " " " " " " Screw (2)
224392	15144	Arm Shaft Oil Packing (wick)
350431E	15144	" " " " Stop Screw
241561	15144	Balance Wheel (belt groove 2-3/4 in. diam.) with 200328C and 200335C
200328C	15144	Balance Wheel Position Screw
200335C	15144	" " Set Screw
*235006	-----	Bed (cylinder)
239003	17066	" " End Cover
213312	17066	" Base (4 in. high)
203184	17066	" Clamp
200262H	17066	" " Hinge Screw
202622	17066	" " Packing Washer
200728H	17066	" " Thumb Screw
203185	17066	" " Washer
202618	17066	" Hinge
200030H	17066	" " Screw (6)
221174	17066	" Slide (back)
235007	17066	" " Clamp Plate (back)
239005	17066	" " " " (front)
200580H	17066	" " " " Screw (4)
203470	15148	Bobbin (2)
*235099	-----	" Case (left)
*235128	-----	" " (right)
203648	15148	" " Latch
*202056	-----	" " " Pin
203473	15148	" " " Plunger
203474	15148	" " " Spring
235067	15148	" " Lever
*203476	-----	" " " Eccentric
204243	15148	" " " " Position Pin
203576	15148	" " " Fulcrum (left) with 203579
203577	15149	" " " " (right) with 203579
200110D	15148	" " " " Screw
203578	15148	" " " Slide
203579	15148	" " " " Stud

No.	Plate	Name
241674	15148	Bobbin Case Oiling Felt
241675	15148	" " " " Retainer
350405C	15148	" " " " " Screw
203214	15148	" " Tension Spring (left)
235123	15149	" " " " (right)
200984C	15148	" " " " Regulating Screw
200594C	15148	" " " " Screw
203216	15148	" " Washer (cloth)
235100	15148	Bobbin Case (left) complete, Nos. 200594C, 200984C, 202056, 203214, 203216, 203473, 203474, 203648, 235099, 241674, 241675 and two 350405C
235129	15149	Bobbin Case (right) complete, Nos. 200594C, 200984C, 202056, 203216, 203473, 203474, 203648, 235123, 235128, 241674, 241675 and two 350405C
239007	15149	Cylinder End Cover Rest
200110D	15149	" " " " Screw
235070	17066	Face Plate with 201650H and 350432XC
202135	17066	" " Position Pin
200462H	17066	" " Thumb Screw
213295	15147	Feed Bar with 200544E and 213610
213298	15147	" " Connecting Link with two 350411C
350411C	15147	" " " " Pinch Screw
200935E	15147	" " " " Screw Stud
201531E	15147	" " " " " " Nut
213610	15147	" " " " " Stud
212519	17067	" Dog, for 235135
212523	17067	" " " 235050
212526	17067	" " " 235052
212547	17068	" " " 235055
212550	17068	" " " 235059
212552	17068	" " " 235061
212554	17068	" " " 235063
200544E	15147	" " Screw
235082	15145	" Driving Eccentric Regulating Bracket
235009	15145	" " " " " "
		235082 with 224108, two each 200256C and 201525E
224108	15145	Feed Driving Eccentric Regulating Bracket Flange with 200383C and 200437C
200437C	15145	Feed Driving Eccentric Regulating Bracket Flange Position Screw
200383C	15145	Feed Driving Eccentric Regulating Bracket Flange Set Screw
200256C	15145	Feed Driving Eccentric Regulating Bracket Hinge Screw
201525E	15145	Feed Driving Eccentric Regulating Bracket Hinge Screw Nut
202301	15145	Feed Driving Eccentric Regulating Bracket Plunger
202595	15145	Feed Driving Eccentric Regulating Bracket Plunger Spring
200607C	15145	Feed Driving Eccentric Regulating Bracket Plunger Spring Stop Screw
200256C	15145	Feed Driving Eccentric Regulating Bracket Stop Screw

No.	Plate	Name
201525E	15145	Feed Driving Eccentric Regulating Bracket Stop Screw Nut
200429F	15145	Feed Driving Eccentric Regulating Screw
200383C	15145	" " " " " " Check Screw
235011	15147	Feed Driving Rock Shaft
235080	15147	" " " " Bearing
235081	15147	" " " " " Bracket
201520C	15147	" " " " " Nut
208636	15147	" " " " " Washer
235066	15147	" " " " Bushing
200346C	15147	" " " " " Set Screw
203244	15147	" " " " " Collar with two 200393C
200393C	15147	Feed Driving Rock Shaft Collar Set Screw
235842	15145	" " " " Connection with 200054E and 202277
200919C	15145	Feed Driving Rock Shaft Connection Hinge Screw
201522E	15145	Feed Driving Rock Shaft Connection Hinge Screw Nut
202277	15145	Feed Driving Rock Shaft Connection Oil Packing (wick)
200054E	15145	Feed Driving Rock Shaft Connection Pinch Screw
210559	15144	Feed Driving Rock Shaft Connection Stop Collar with two 200378C
200378C	15144	Feed Driving Rock Shaft Connection Stop Collar Set Screw
235083	15147	Feed Driving Rock Shaft Crank with 200038C
200038C	15147	" " " " " Pinch Screw
213296	15147	" Lifting Cam with 200392C and 200447C
200447C	15147	" " " Position Screw
213748	15147	" " " Retainer
200583H	15147	" " " " Screw
200392C	15147	" " " Set Screw
235084	15144	" Regulating Spindle with 202443, 202619 and 235085
*235085	-----	Feed Regulating Spindle Head
202443	15144	" " " " Pin
202619	15144	" " " " Position Pin
235136	17066	Foot Lifter Lifting Lever
200242H	17066	" " " " Hinge Screw
233390	17066	" " " " " Washer
221146	17066	" " " " Spring
200835D	17066	" " " " " Screw
*203482	-----	Hook (sewing)
233853	15148	" 203482 with 201253F, 201376C and 241604
235127	15148	Hook and Bobbin Case (left) complete, Nos. 233853 and 235100
235131	15149	Hook and Bobbin Case (right) complete, Nos. 233853 and 235129
203596	15148	Hook Bevel Gear Socket, 18 teeth
203602	15149	" " " " Bushing (right)
200446C	15149	" " " " " Position Screw

No.	Plate	Name
200556H	15148	Hook Bevel Gear Socket Screw
213319	15146	" " " Pinion with two 200386C (2)
200386C	15146	" " " Set Screw
235015	15146	" Driving Counter Shaft
235016	15146	" " " " Bushing (back)
200346C	15146	" " " " " " " Set Screw
235017	15146	Hook Driving Counter Shaft Bushing (front)
200346C	15146	" " " " " " " Set Screw
235018	15146	Hook Driving Counter Shaft Gear with 200382C and 200398C
200398C	15146	Hook Driving Counter Shaft Gear Position Screw
200382C	15146	Hook Driving Counter Shaft Gear Set Screw
235019	15146	" " " " Oil Tube (brass)
235020	15146	" " Shaft
235021	15146	" " " Bushing
200346C	15146	" " " Set Screw
203244	15146	" " " Collar with two 200393C
200393C	15146	" " " " Set Screw
235064	15146	" " " Connection Belt Pulley with 202253 and two 201254C
201254C	15146	Hook Driving Shaft Connection Belt Pulley Set Screw
202253	15146	Hook Driving Shaft Connection Belt Pulley Spring Flange
235018	15146	Hook Driving Shaft Gear with 200382C and 200398C
200398C	15146	Hook Driving Shaft Gear Position Screw
200382C	15146	" " " " Set Screw
241604	15148	" Gib
201376C	15148	" " Hinge Screw
201253F	15148	" " Screw
233707	15148	" Saddle (left) with 206758 and two 233708
203588	15149	" " (right) with 200446C, 202299 and two 200110D
235133	15148	Hook Saddle (left) complete, Nos. 200110D, 200556H, 203576, 203578, 203596, 213018, 233707, 235067 and 235127
235024	15149	Hook Saddle (right) complete, Nos. 200556H, 203577, 203578, 203588, 203596, 203602, 213018, 235067, 235131 and 239007
235134	-----	Hook Saddle Combination (left and right) complete, Nos. 235024 and 235133
202299	15149	Hook Saddle Oil Packing (wick)
206758	15148	" " " " (wick)
233708	15148	" " Oiling Felt
200541E	15148	" " Screw (short) (3)
350259E	15149	" " " (long)
225837	15148	" " " Washer (4)
213018	15148	" Washer with 203476 and three 204243
231390	15150	Needle Bar
235137	15150	" " Bushing (lower)
350164C	15150	" " " " Set Screw
241535	15150	" " " (upper)

No.	Plate	Name
200338C	15150	Needle Bar Bushing (upper) Set Screw
239041	15150	" " Connecting Link
239042	15150	" " " " Oil Guard
201183D	15150	" " " " " " Screw
202333	15150	" " " " Stud with 202254
202254	15150	" " " " Oil Packing (wick)
200374C	15150	Needle Bar Connecting Link Stud Set Screw
200383C	15150	" " " " " " Screw
264714	15150	" " " " Stud with 200072C and 202277
202277	15150	Needle Bar Connecting Stud Oil Packing (wick)
200072C	15150	Needle Bar Connecting Stud Pinch Screw
202692	15150	" " Crank with 200335C, 200374C, 200383C, 200428C and 202333
203172	15150	Needle Bar Crank Friction Washer
200428C	15150	" " " " Position Screw
200335C	15150	" " " " Set Screw
234213	15150	" Holder, needles 3/32 in. apart and must be set diagonally, for gauges 1/32, 3/64 and 1/16 in., with 201030F and two 200141F
231383	15150	Needle Holder, in gauges from 3/32 to 1/4 in., with 201030F and two 200141F
201030F	15150	Needle Holder Screw
200141F	15150	" Set Screw
224391	17064	Presser Bar Bushing
200352C	17064	" " " " Set Screw
202554	17064	" " Lifter
200653C	17064	" " " Hinge Screw
235138	17064	" " Lifting Releasing Lever Bracket
200260D	17064	" " " " " " " " " " " "
		Guide Screw
206608	17064	Presser Bar Lifting Releasing Lever Bracket Spring
235901	17064	Presser Bar Position Guide with 200054E
200054E	17064	" " " " Pinch Screw
204258	17064	" " Spring (heavy)
225832	17064	" " " Collar with 200113F
200113F	17064	" " " " Set Screw
200494H	17064	" " Thumb Screw (pressure regulating)
200475H	17064	Presser Bar Thumb Screw Thumb Set Screw
244084	17064	" " " " " " " " "
		Packing (fibre)
201928	17064	Roller Presser, 1-1/4 in. diam., 3/16 in. face (fine) with 1528J, 1766C, 50553C and twenty-four 16232
203426	17064	Roller Presser Arm
203427	17064	" " " 203426 with 201928
235087	17064	" " " Bracket (swing)
235088	17064	" " " " Position Collar with 200362C
200117F	17064	Roller Presser Arm Bracket Position Collar Position Screw

No.	Plate	Name
200362C	17064	Roller Presser Arm Bracket Position Collar Set Screw
202558	17064	Roller Presser Arm Bracket Spring
229370	17064	" " " " " " Stop and (back) Needle Guard Holder
229371	17064	Roller Presser Arm Bracket Spring Stop and (back) Needle Guard Holder 229370 with 200350H, 201317F and 226220
200350H	17064	Roller Presser Arm Bracket Spring Stop and (back) Needle Guard Holder Adjusting Screw
200141F	17064	Roller Presser Arm Bracket Spring Stop Screw
200096D	17064	Roller Presser Arm Screw for gauges 1/32, 3/64 and 1/16 inch
200082D	17064	Roller Presser Arm Screw for gauges 3/32 and 1/8 inch
200077D	17064	Roller Presser Arm Screw for gauges 5/32, 3/16 and 7/32 inch
200064D	17064	Roller Presser Arm Screw for 1/4 in. gauge
229744	17064	Roller Presser Arm Shim, 1/64 in. thick
229745	17064	" " " " 1/32 in. thick
202760	17064	" " " " 1/16 in. thick
16232	17064	" " Ball, 3/32 in. diameter
1766C	17064	" " " Cone
204495	17064	" " Bar
50553C	17064	" " Hinge Screw
1528J	17064	" " " " Nut
229328	17064	" " Needle Guard (back) in gauges 1/32, 3/64 and 1/16 inch
229330	17064	Roller Presser Needle Guard (back) in 3/32 in. gauge for No. 13 needle
229331	17064	Roller Presser Needle Guard (back) in 1/8 in. gauge for No. 13 needle
229332	17064	Roller Presser Needle Guard (back) in 5/32 in. gauge for No. 13 needle
229347	17064	Roller Presser Needle Guard (back) in 3/16 in. gauge, with 350061F
229334	17064	Roller Presser Needle Guard (back) in 7/32 in. gauge, with 350061F
229335	17064	Roller Presser Needle Guard (back) in 1/4 in. gauge, with 350061F
201317F	17064	Roller Presser Needle Guard (back) Clamp Screw
226220	17064	Roller Presser Needle Guard (back) Clamp Screw Washer
350061F	17064	Roller Presser Needle Guard (back) Screw
229325	17064	" " " " (front) in gauges 1/32, 3/64 and 1/16 inch
201071F	17064	Roller Presser Needle Guard (front) Screw
235139	17064	Roller Presser and Bar complete, in gauges 1/32, 3/64 and 1/16 in., Nos. 200096D, 200117F, 201071F, 202558, 203427, 204495, 229325, 229328, 229371, 235087, 235088 and two 200141F

No.	Plate	Name
235140	17064	Roller Presser and Bar complete, in 3/32 in. gauge, Nos. 200082D, 200117F, 202558, 203427, 204495, 229330, 229371, 229744, 229745, 235087, 235088 and two 200141F
235141	17064	Roller Presser and Bar complete, in 1/8 in. gauge, Nos. 200082D, 200117F, 202558, 202760, 203427, 204495, 229331, 229371, 235087, 235088 and two 200141F
235142	17064	Roller Presser and Bar complete, in 5/32 in. gauge, Nos. 200077D, 200117F, 202558, 202760, 203427, 204495, 229332, 229371, 229744, 235087, 235088 and two 200141F
235143	17064	Roller Presser and Bar complete, in 3/16 in. gauge, Nos. 200077D, 200117F, 202558, 202760, 203427, 204495, 229347, 229371, 229745, 235087, 235088 and two 200141F
235144	17064	Roller Presser and Bar complete, in 7/32 in. gauge, Nos. 200077D, 200117F, 202558, 202760, 203427, 204495, 229334, 229371, 229744, 229745, 235087, 235088 and two 200141F
235145	17064	Roller Presser and Bar complete, in 1/4 in. gauge, Nos. 200064D, 200117F, 202558, 203427, 204495, 229335, 229371, 235087, 235088, two each 200141F and 202760
235031	15150	Take-up Lever
202399	15150	" " Driving Stud with 202277
202277	15150	" " " " Oil Packing (wick)
202400	15150	Take-up Lever Hinge Stud with 202423
202423	15150	" " " " Oil Packing (wick)
200383C	15150	Take-up Lever Hinge Stud Set Screw
202401	17064	" " Oiling Felt
200132E	17064	" " " " Screw
235032	17065	Tension Bracket with two each 200397H, 201224B and 236060
200159F	17065	Tension Bracket Screw
234047	17065	" " " Socket
200368H	17065	" " " " Set Screw
236098	17065	" " Thread Guide (double)
200174H	17065	" " " " Screw
235033	17065	Tension Bracket complete, Nos. 200174H, 200978H, 201199F, 235032, 235034, 235036, 235073, 236098, two each 200309E, 202407, 204059, 204271, 223704, three 201572H and four 244048
244048	17065	Tension Disc
236060	17065	" " Position Pin
235034	17065	" Release Lever
235072	17064	" " " Rod
200309E	17065	" " " Screw
223704	17065	" " Plunger
204271	17065	" " Washer
202407	17065	" Spring
201224B	17065	" Stud
201572H	17065	" Thumb Nut

No.	Plate	Name
235073	17065	Thread Controller Disc
200978H	17065	" " " Screw
235036	17065	" " Spring
235037	17065	" " Stop
200132E	17065	" " " " Screw
201199F	17065	" " Stud with 204925
200061C	17065	" " Set Screw
201572H	17065	" " Thumb Nut
204925	17065	" " Washer
224028	15144	" Guide
202684	17065	" Guide
200366H	17065	" " Set Screw
241755	17066	" Lubricator Oil Pad (felt)
241756	17066	" " " Holder
240439	17066	" " " Retainer
239071	17066	" " Reservoir (left hand)
241759	17066	" " Wick
350432XC	17066	" " Screw
201650H	17066	" " Nut
214838	17066	" " Washer
235071	17066	Thread Lubricator (left hand) complete, Nos. 214838, 239071, 240439, 241755, 241756 and 241759
202091	17065	Thread Retainer Sleeve
202092	17065	" " Spring (spiral)
204058	17065	" " Stud
200397H	17065	" " " Set Screw
204059	17065	Thread Retainer complete, Nos. 202091, 202092 and 204058
210956	17065	Thread Retainer Bracket (left) with 200397H
223710	17065	" " " (right) with 200397H
235068	17065	Thread Retainer Bracket Plate with 202108
202108	17065	" " " " Position Pin
200075D	17065	" " " " Screw
200583H	17065	" " " " Screw
210993	17065	" " Sleeve
223844	17065	" " Spring
210957	17065	" " Stud
210958	17065	" " Collar
200397H	17065	" " " Set Screw
210959	17065	Thread Retainer (lower, left) complete, Nos. 210956 to 210958, 210993 and 223844
223711	17065	Thread Retainer (lower, right) complete, Nos. 210957, 210958, 210993, 223710 and 223844
235069	17065	Thread Retainer and Plate complete, Nos. 210959, 223711, 235068 and four 200583H
235135	17067	Throat Plate, 53 elongated needle hole, needles 3/32 in. apart, for needle sizes 14 and 15, in gauges 1/32, 3/64 and 1/16 in., for 212519
235050	17067	Throat Plate, 50 needle hole, for needle sizes 14 and 15, in 3/32 in. gauge, for 212523
235052	17067	Throat Plate, 50 needle hole, for needle sizes 14 and 15, in 1/8 in. gauge, for 212526

No.	Plate	Name
235055	17068	Throat Plate, 50 needle hole, for needle sizes 14 and 15, in 5/32 in. gauge, for 212547
235059	17068	Throat Plate, 50 needle hole, for needle sizes 14 and 15, in 3/16 in. gauge, for 212550
235061	17068	Throat Plate, 50 needle hole, for needle sizes 14 and 15, in 7/32 in. gauge, for 212552
235063	17068	Throat Plate, 50 needle hole, for needle sizes 14 and 15, in 1/4 in. gauge, for 212554
200577A1.	17067	Throat Plate Screw (2)

SINGER Needles should be used
in **SINGER** Machines
These Needles and their Containers
are marked with the
Company's Trade Mark "SIMANCO."^{***}

Needles in Containers marked
"FOR SINGER MACHINES"
are NOT **SINGER** made needles.

ACCESSORIES

No.	Plate	Name
203470	15148	Bobbin (10)
4822	17064	Roller Presser Hinge Screw Nut Wrench
228476	17010	Screw Driver (Bobbin Case)
204033	17010	Wrench
128x4	----	Needles, four each, sizes 11, 12 and 13
227104	16762	Drip Pan (cast iron, square) with one wood screw 1 1/2 in., No. 14, R. H. B.
51078	17010	Machine Bolt (4)
6055	17010	" " Washer (4)
41401	17010	" Rest Pin (wood)
120342	17010	Oiler (copper plated) with 120343
120343	17010	" Spout (3-1/2 in. long)
225498	17010	Screw Driver (7-1/4 in. long)
225554	17010	Wrench (steel)

BOBBIN WINDER

(SWINGING AUTOMATIC, LEFT HAND)

227149	16761	Base
227209	16761	Frame with 200125F
227152	16761	" Hinge Pin
227153	16761	" Spring
200125F	16761	" Stop Screw
227154	16761	Pulley (large) with 200380C
200380C	16761	" Set Screw
227156	16761	Spindle
227157	16761	Stop Latch
227159	16761	" " Hinge Pin
227160	16761	" " Spring
227048	16761	Bobbin Winder complete (large pulley) Nos. 227149, 227152 to 227154, 227156, 227157, 227159, 227160, 227209 and two round head wood screws 3/4 in., No. 12
202480	16761	Spool Holder Base with 200355H and 202484
202481	16761	" " " Spool Pin
202482	16761	" " Tension Disc (lower or upper)
200011D	16761	" " " " Screw
200355H	16761	" " " " " Set Screw
202483	16761	" " " " " Spring (brass)
202484	16761	" " " " " Thread Guide
202485	16761	Bobbin Winder Spool Holder complete, Nos. 200011D, 202480, 202481, 202483, two 202482 and one wood screw 1 in., No. 12
227514	16761	Bobbin Winder and Spool Holder complete, Nos. 202485 and 227048

FOOT LIFTER

No.	Plate	Name
227952	16762	Foot Lifter Lever with 227954
227678	16762	" " " Chain, 48 in. long, with 202784
227954	16762	Foot Lifter Lever Chain Hook (lower)
202784	16762	" " " " " (upper)
225016	16762	" " " Hinge Pin
227939	16762	" " " Stand with two wood screws 1 in., No. 12
227955	16762	Foot Lifter Lever complete, Nos. 225016, 227678, 227939 and 227952

(Other Foot Lifter parts are listed with parts
of machine head)

THREAD UNWINDER

FOR THREE SPOOLS

228692	16257	Spool Pin
201528H	16257	" " Nut
228693	16257	" " Washer
225259	16257	" Rest (for one spool) (flat) with 201018C, 201528H, 228692 and 228693
225257	16257	Spool Rest (for two spools) (flat) with 201018C, two each 201528H, 228692 and 228693
150203	16257	Spool Rest Cushion (left)
225388	16257	" " Rod
200383C	16257	" " " Set Screw
201018C	16257	" " Set Screw
259658	16257	" Stand with 200383C
225391	16257	Thread Guide
201696H	16257	" " Lock Nut
225326	16257	" " Position Cup
225324	16257	" " Rod with 208A1, and 225322
208A1	16257	" " " Screw
225322	16257	" " " Washer
259143	16257	Thread Unwinder (for three spools) complete, Nos. 201696H, 225257, 225259, 225324, 225326, 225388, 259658, three each 150203, 225391 and wood screws 7/8 in., No. 12

FEED DOGS

No.	Plate	Name
212519	17067	Feed Dog, for 235135
212523	17067	" " " 235050
212526	17067	" " " 235052
212540	17067	" " " 235051
212547	17068	" " " 235055
212550	17068	" " " 235059
212552	17068	" " " 235061
212554	17068	" " " 235063

THROAT PLATES

235135	17067	Throat Plate, 53 elongated needle hole, needles 3/32 in. apart, for needle sizes 14 and 15, in gauges 1/32, 3/64 and 1/16 in., for 212519
235050	17067	Throat Plate, 50 needle hole, for needle sizes 14 and 15, in 3/32 in gauge, for 212523
235051	17067	Throat Plate, 50 needle hole, for needle sizes 14 and 15, in 3/32 in gauge, for 212540
235052	17067	Throat Plate, 50 needle hole, for needle sizes 14 and 15, in 1/8 in. gauge, for 212526
235055	17068	Throat Plate, 50 needle hole, for needle sizes 14 and 15, in 5/32 in. gauge, for 212547
235059	17068	Throat Plate, 50 needle hole, for needle sizes 14 and 15, in 3/16 in. gauge, for 212550
235061	17068	Throat Plate, 50 needle hole, for needle sizes 14 and 15, in 7/32 in. gauge, for 212552
235063	17068	Throat Plate, 50 needle hole, for needle sizes 14 and 15, in 1/4 in. gauge, for 212554

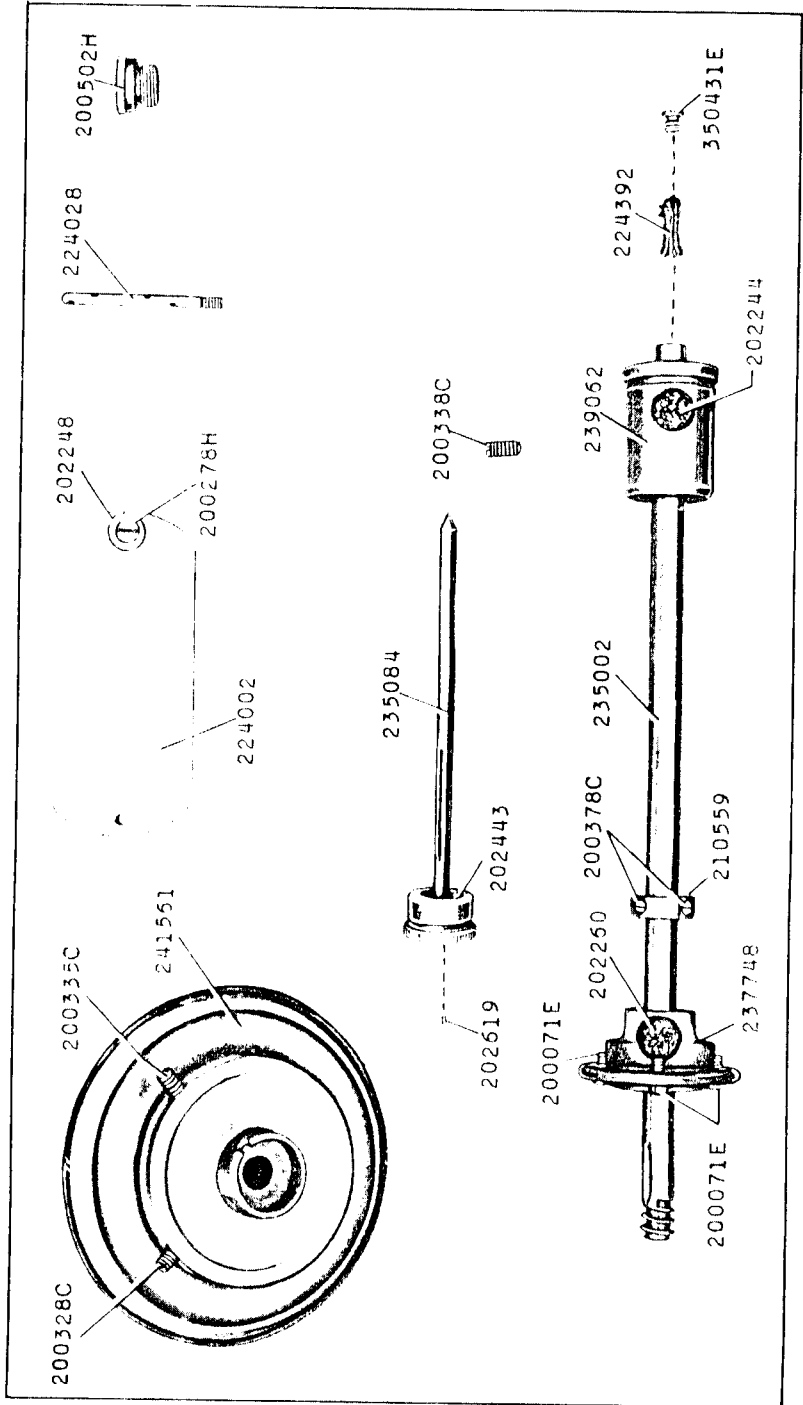
MISCELLANEOUS PARTS

USED IN CONJUNCTION WITH
THREAD UNWINDER

60913	16257	Spool Weight with 60914
60914	16257	" " Center Pin
225377	16257	" Wire (for small spools)
27739	16257	Thread Cone (wood)
225390	16257	" " Holder

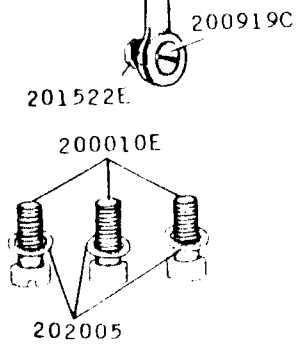
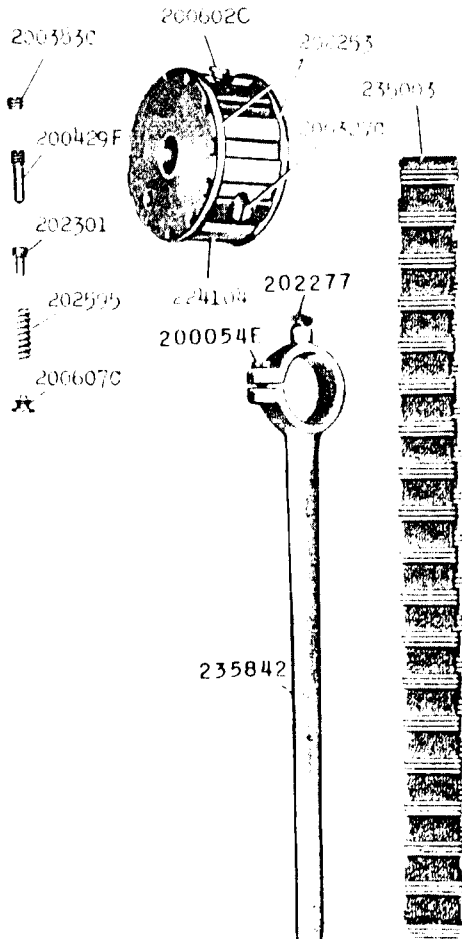
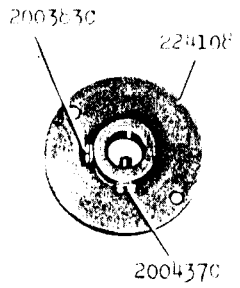
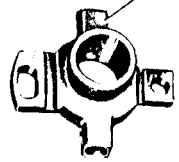
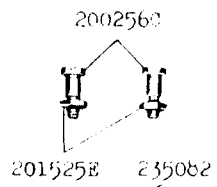
SINGER Needles should be used
 in **SINGER** Machines
 These Needles and their Containers
 are marked with the
 Company's Trade Mark "SIMANCO.***" 1

Needles in Containers marked
 "FOR SINGER MACHINES"
 are NOT **SINGER** made needles.

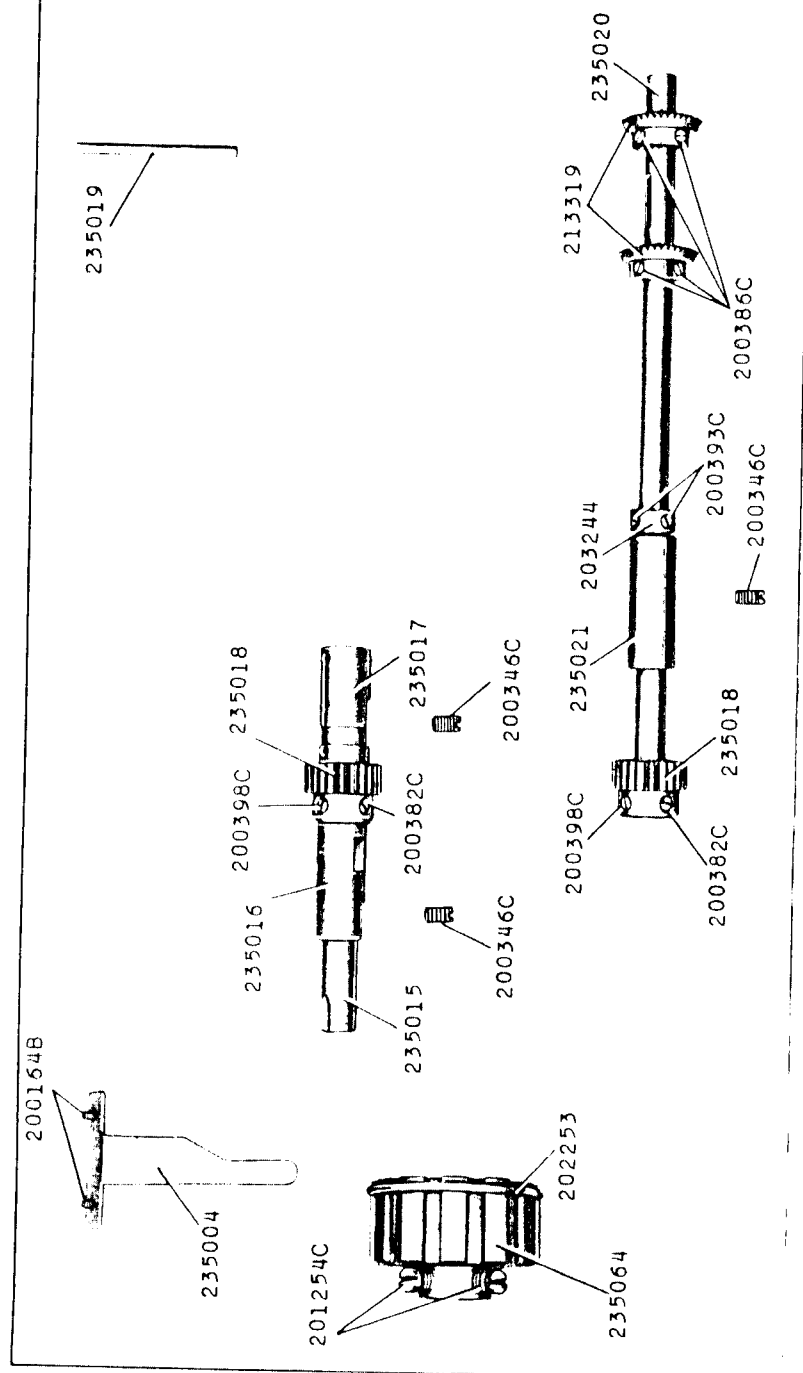


15145-3/8

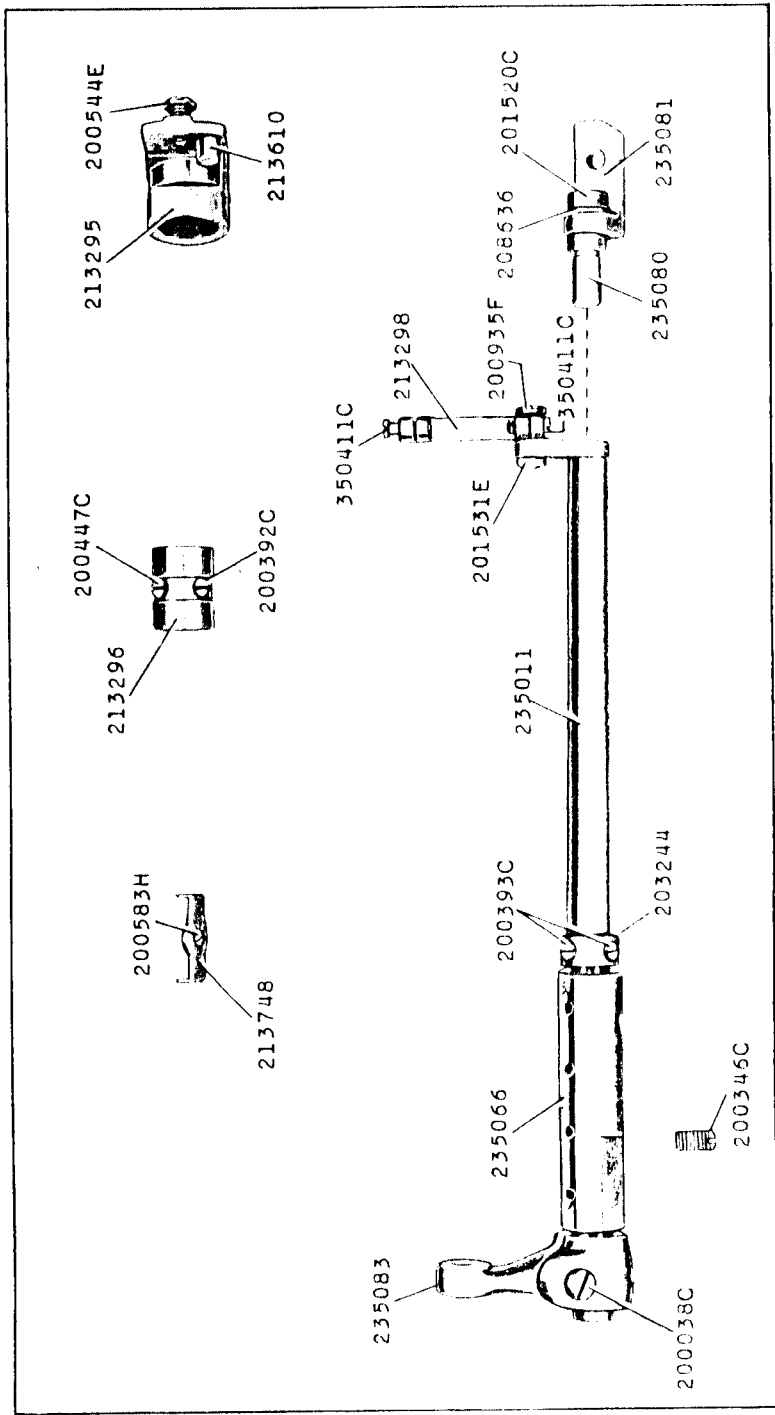
235009



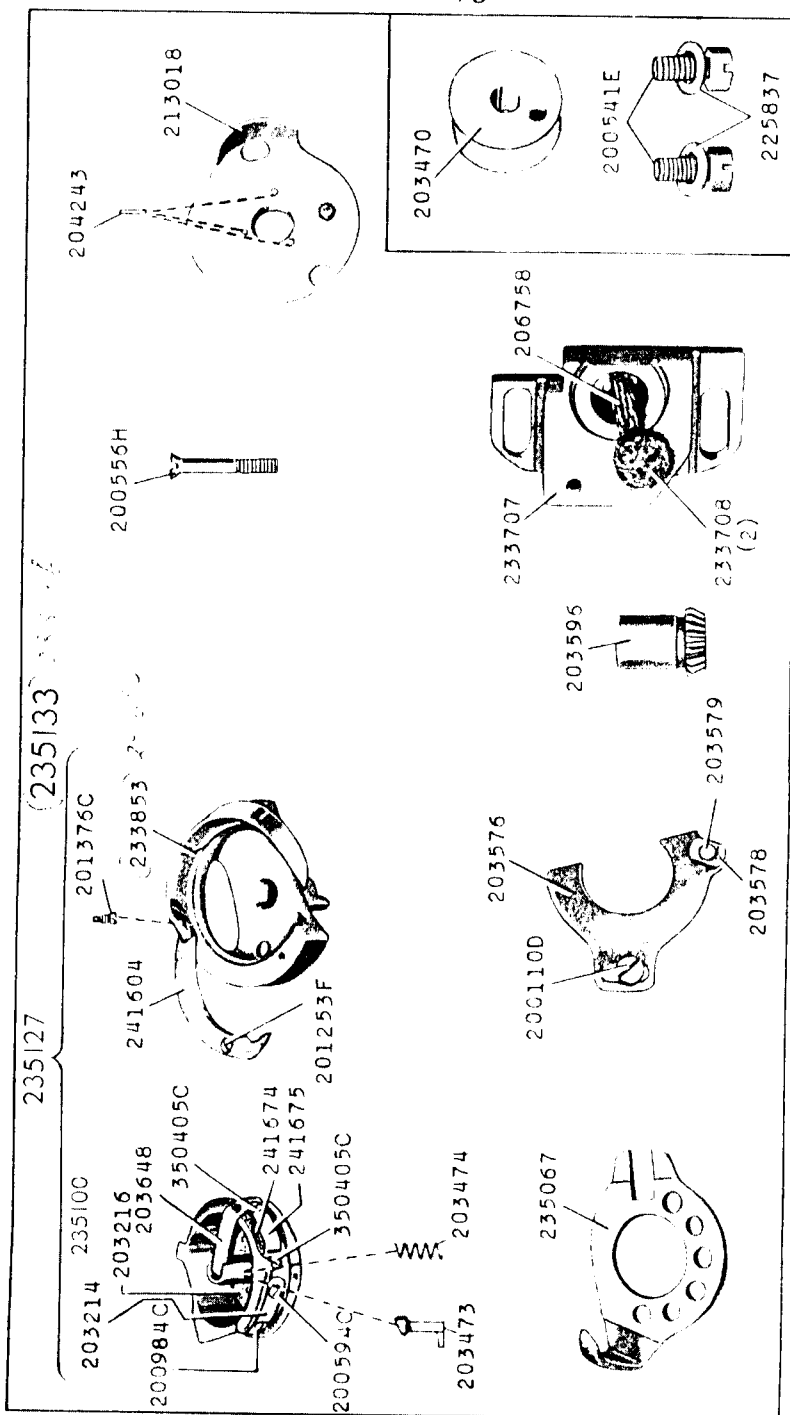
15146-3/8



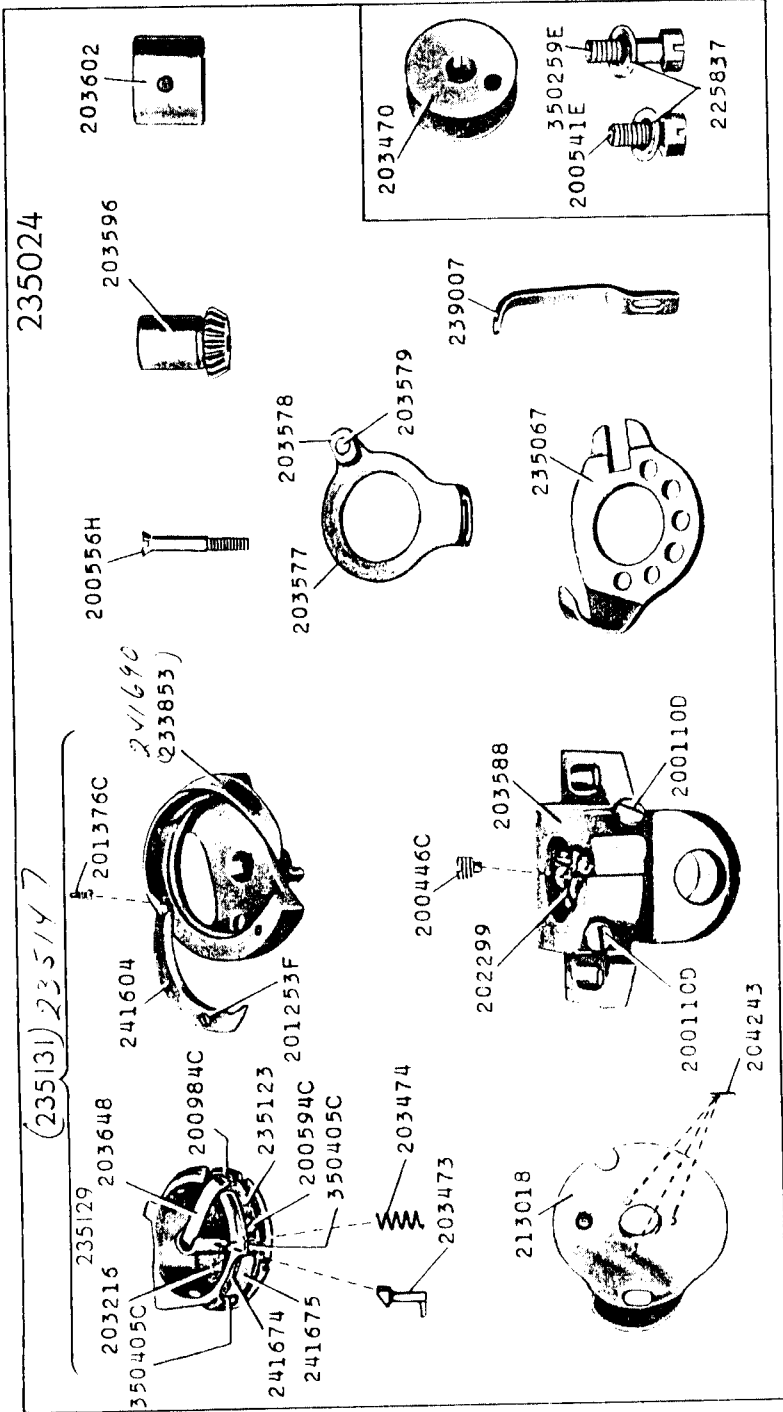
15147-1/2



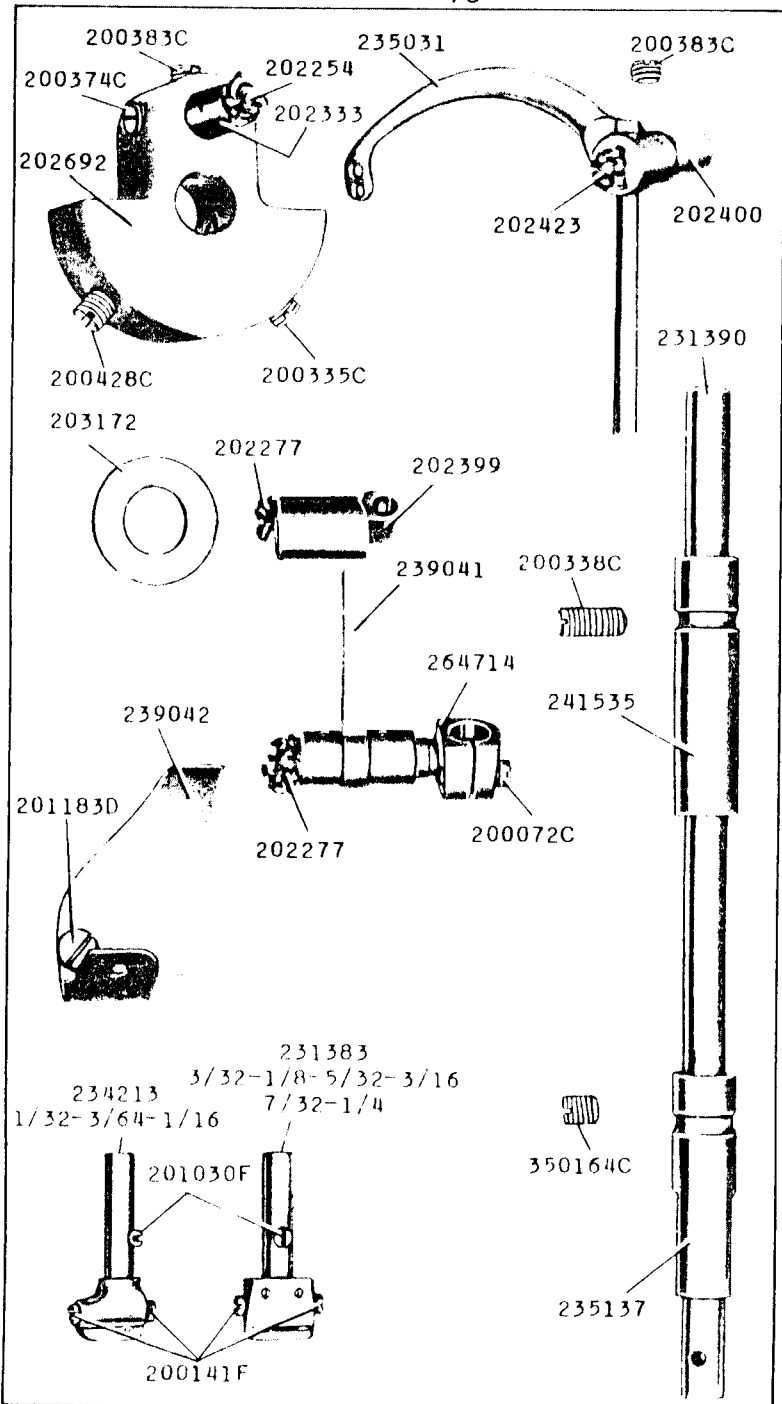
15148-2/3



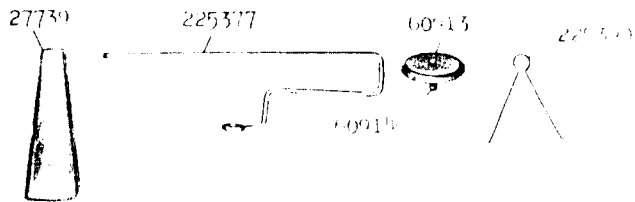
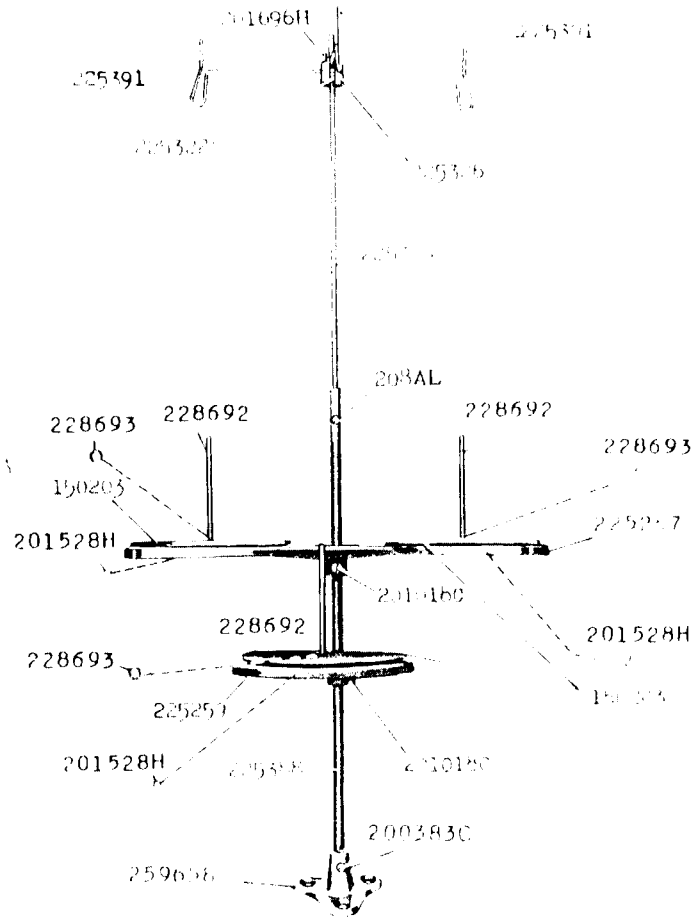
15149-2/3



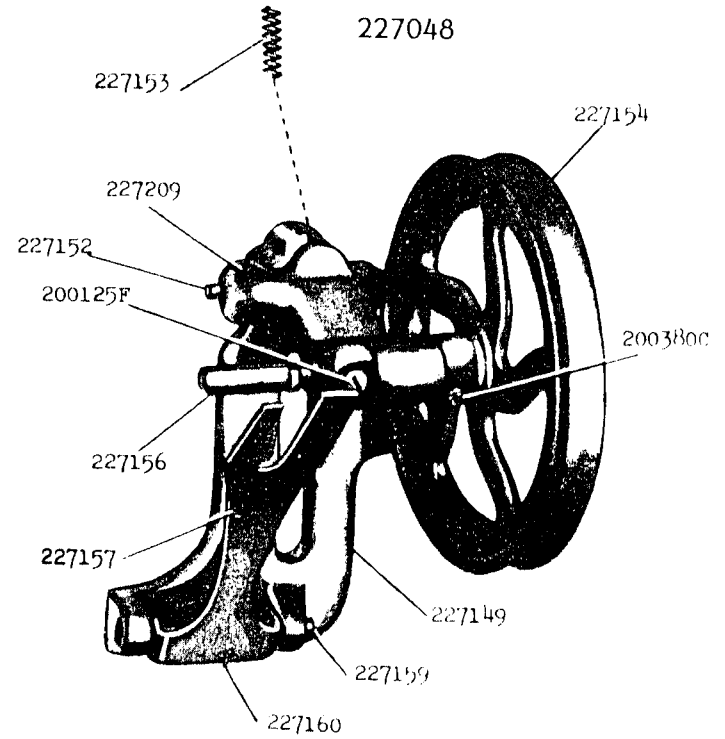
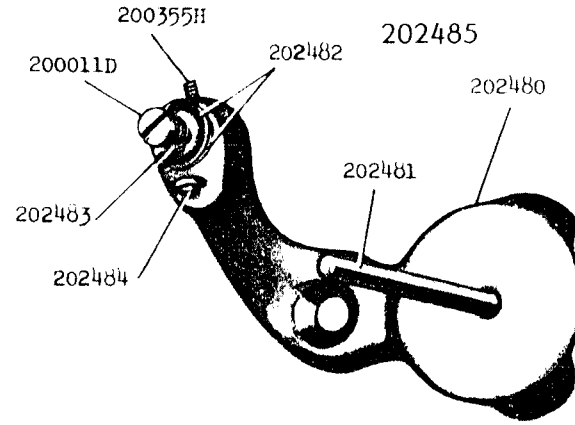
15150-2/3



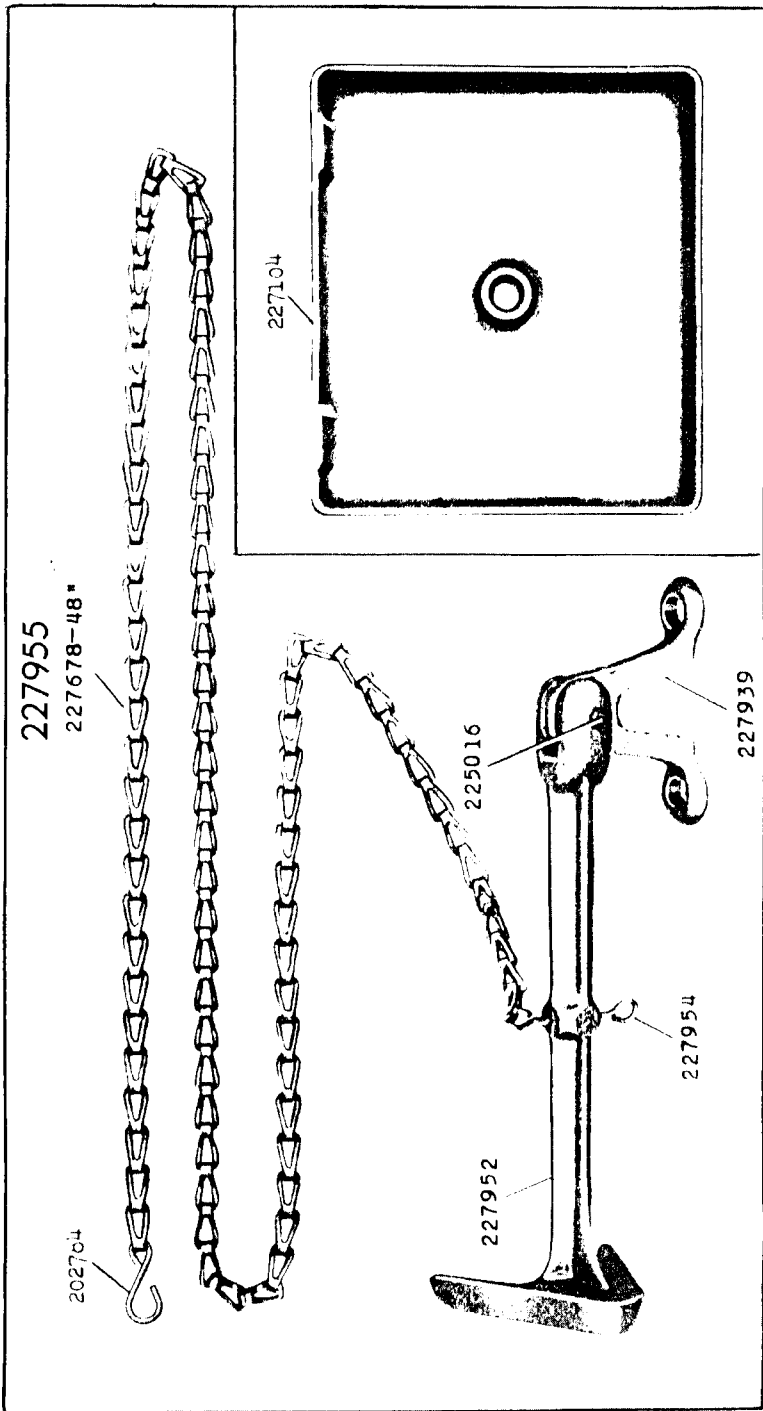
16257 - 1/6
259143



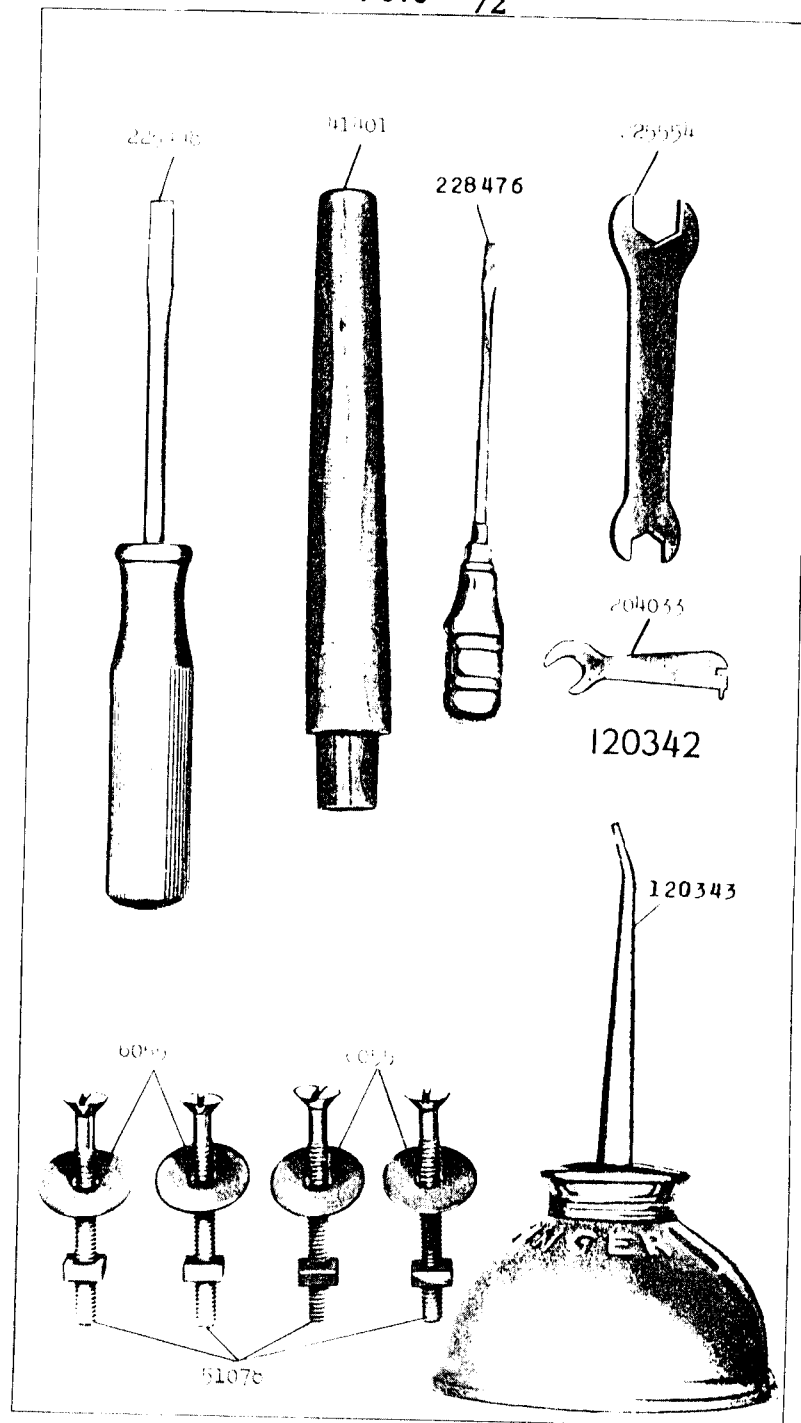
16761 - 2/3
227514



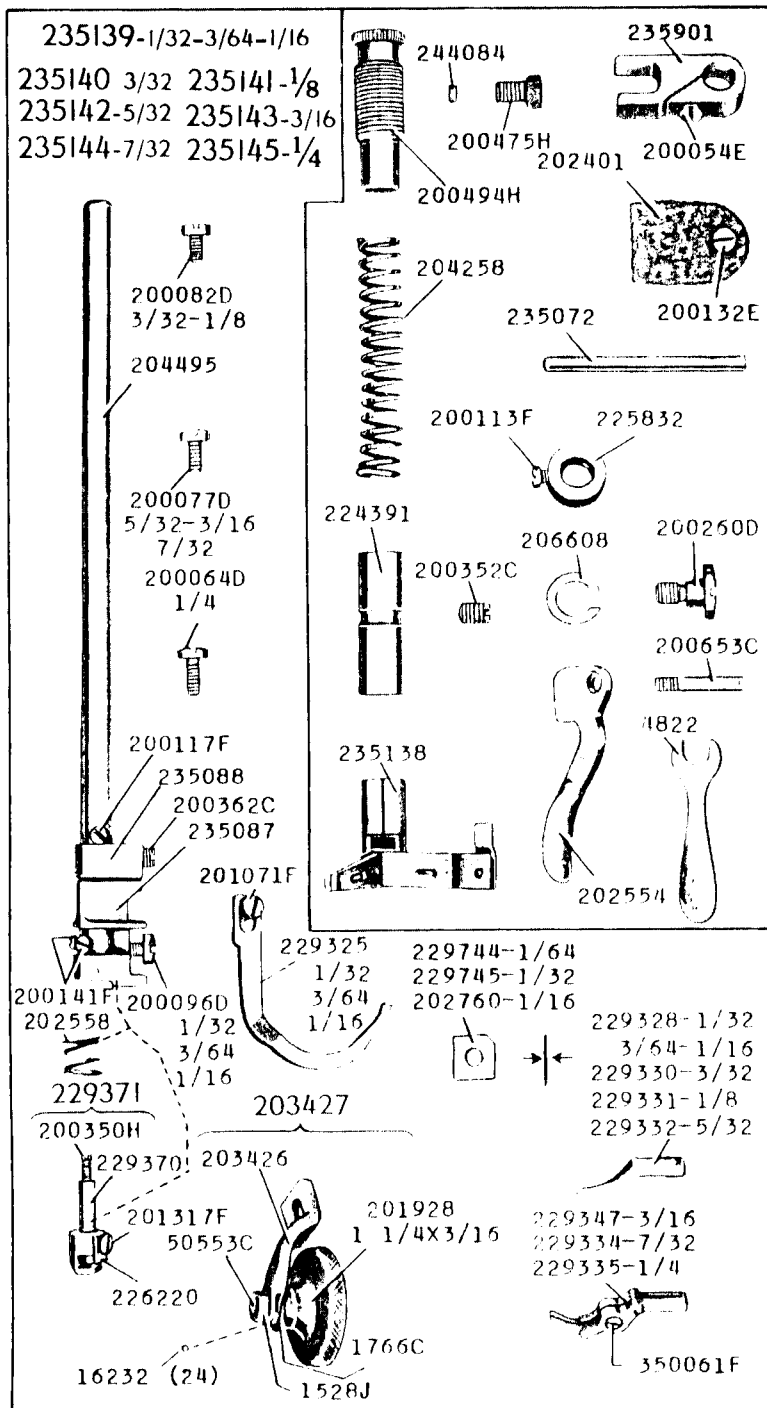
16762 - 3/8



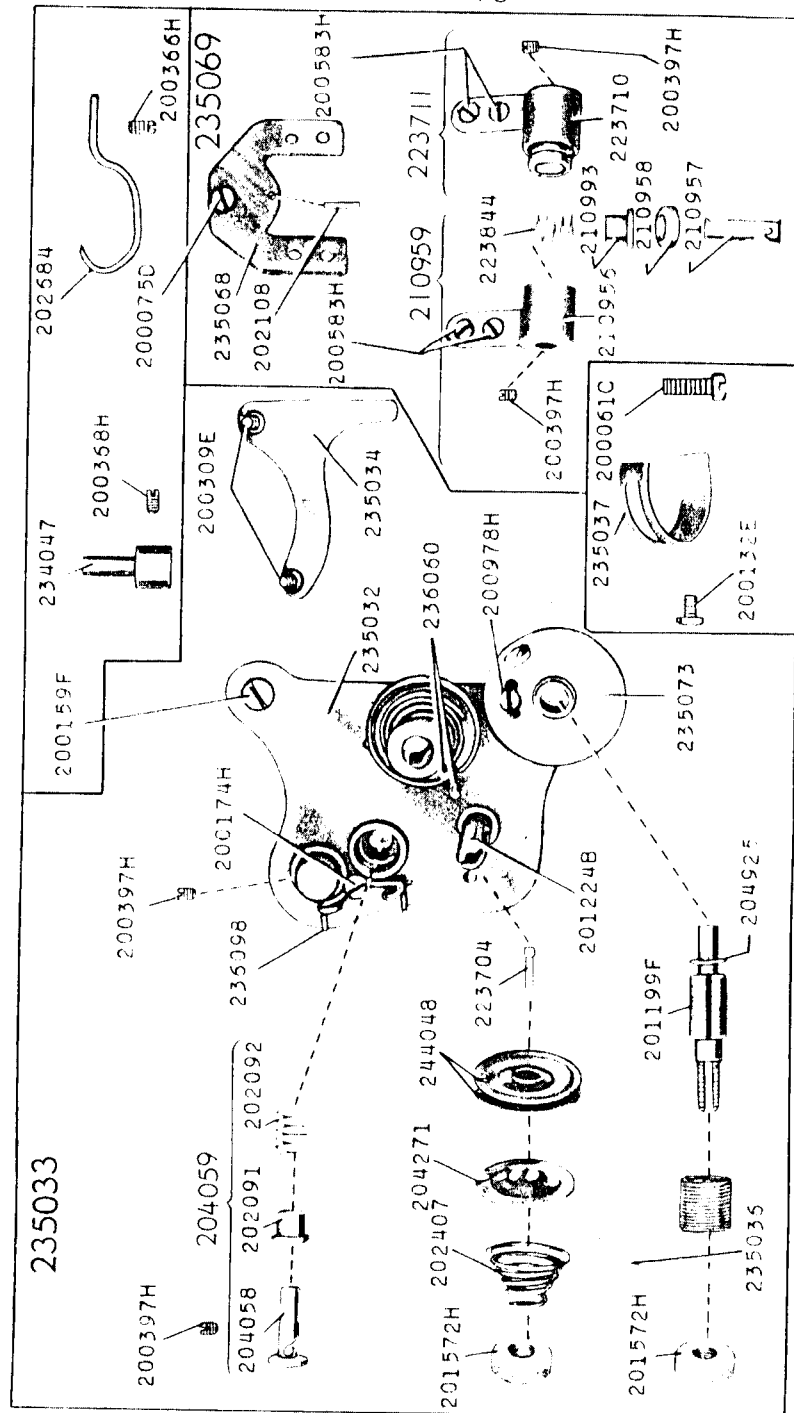
17010 - 1/2



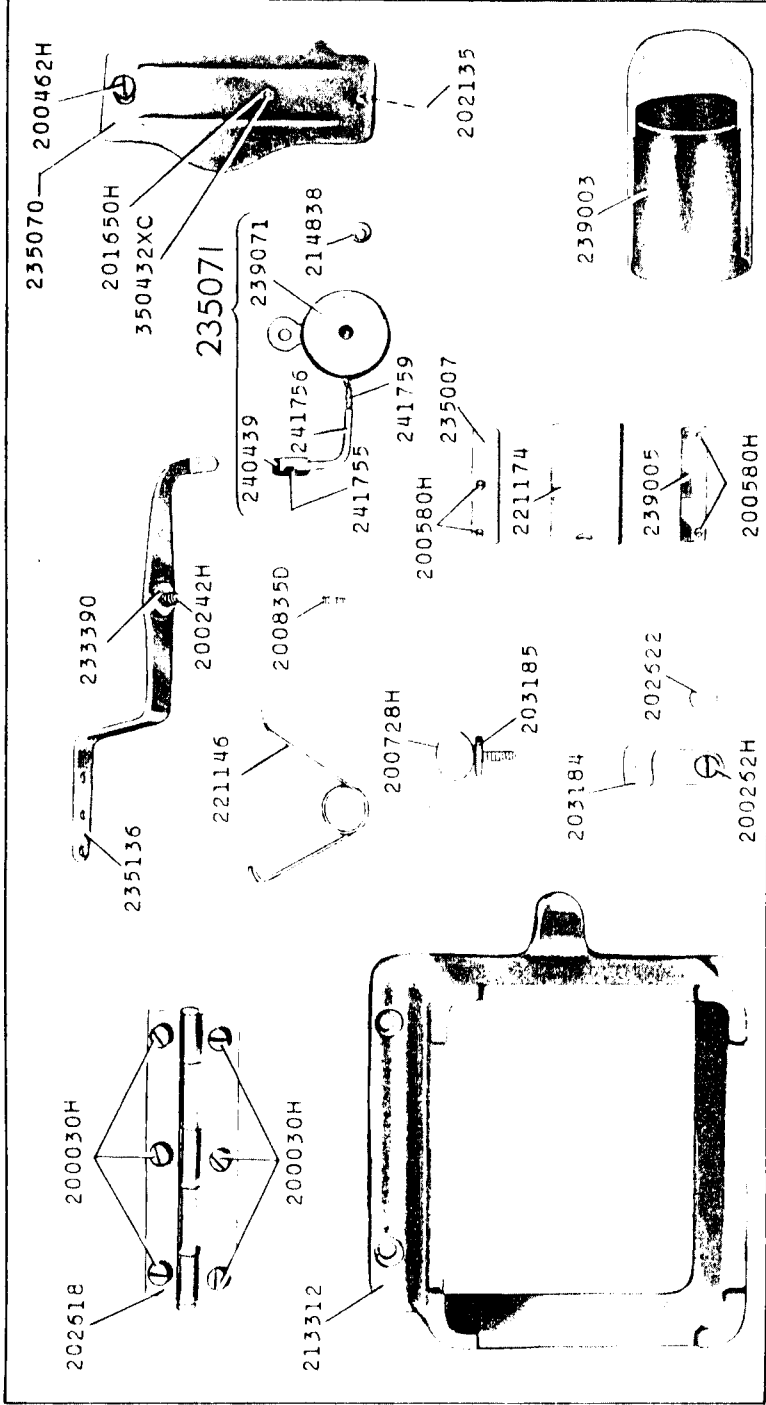
17064-1/2



17065-5/8



17066-1/4



17067

